

MAIN FEATURE

1. Single Pole Relay designed with medium current load 3A.
2. 2.54mm terminal pitch employment equivalent to I.C. terminal pitch.
3. Single or double common terminal available.
4. Comply with RoHS and REACH regulations.

CONTACT RATING

Load Type	UA (DM)	UA (D)
Rated Load (Resistive)	3A 120VAC	3A 120VAC
	3A 24VDC	3A 24VDC
Rated Carrying Current	3A	3A
Max. Allowable Voltage	AC 120V	AC 120V
	DC 60V	DC 60V
Max. Allowable Current	3A	3A
Max. Allowable Power Force	360VA	360VA
	72W	72W
Min. Switching Load	DC 5V, 10mA	DC 5V, 10mA
Contact Material	Ag Alloy	Ag Alloy
Contact Form	SPST	SPDT

APPLICATION

Telecommunication, Domestic Appliances, Office Machine, Audio Equipment, Camera, etc.

PERFORMANCE (AT INITIAL VALUE)

- Contact Resistance 100mΩ Max.@100mA, 6VDC
- Operate Time..... 8 mSec. Max.
- Release Time 4 mSec. Max.
- Dielectric Strength:
 - Between Coil & Contact 500VAC at 50/60 Hz for one minute
 - Between Contacts..... 500VAC at 50/60 Hz for one minute
- Surge Strength..... 1,000 V (between Coil & Contact 1.2x50μSec.)
- Insulation Resistance..... 100 MegaΩ Min. at 500VDC
- Max. On/Off Switching:
 - Electrical 6 Cycles per Minute
 - Mechanical..... 300 Cycles per Minute
- Temperature Range..... -25~+55°C
- Humidity Range..... 45~85% RH.
- Coil Temperature Rise..... 40°C Max.
- Vibration:
 - Destruction..... 10 to 55 to 10 Hz,0.75 mm single amplitude (1.5mm double amplitude)
 - Malfunction 10 to 55 to 10 Hz,0.75 mm single amplitude (1.5mm double amplitude)
- Shock:
 - Destruction 500 m/S²
 - Malfunction 100 m/S²
- Life Expectancy:
 - Mechanical 10⁷ Operations at No Load condition
 - Electrical 10⁵ Operations at Rated Resistive Load
- Weight..... About 3.5 g

SAFETY STANDARD & FILE NUMBER

- UL & C-UL E141060
- TÜV R50192493

COIL SPECIFICATION (AT 20°C)

Coil Sensitivity	Nominal Voltage (VDC)	Nominal Current (mA)	Coil Resistance ($\Omega \pm 10\%$)	Power Consumption (W)	Pull-In Voltage (VDC)	Drop-Out Voltage (VDC)	Maximum Allowable Voltage (VDC)
UA	3	120	25	Abt. 0.36	75% Maximum	5% Minimum	130%
	5	72.5	69				
	6	60	100				
	9	40	225				
	12	30	400				
	24	15	1,600				

ORDERING INFORMATION

UA - SS - 1 12 D M S

Terminal Type: Nil: Double common terminals
S: Single common terminal

Contact Form: Nil: One Form C
M: One Form A
D: Standard DC

Coil Type:

Coil Voltage: 03: 3V, 05: 5V, 06: 6V, 09: 9V, 12: 12V, 24: 24V

Number of Pole: 1: One Pole

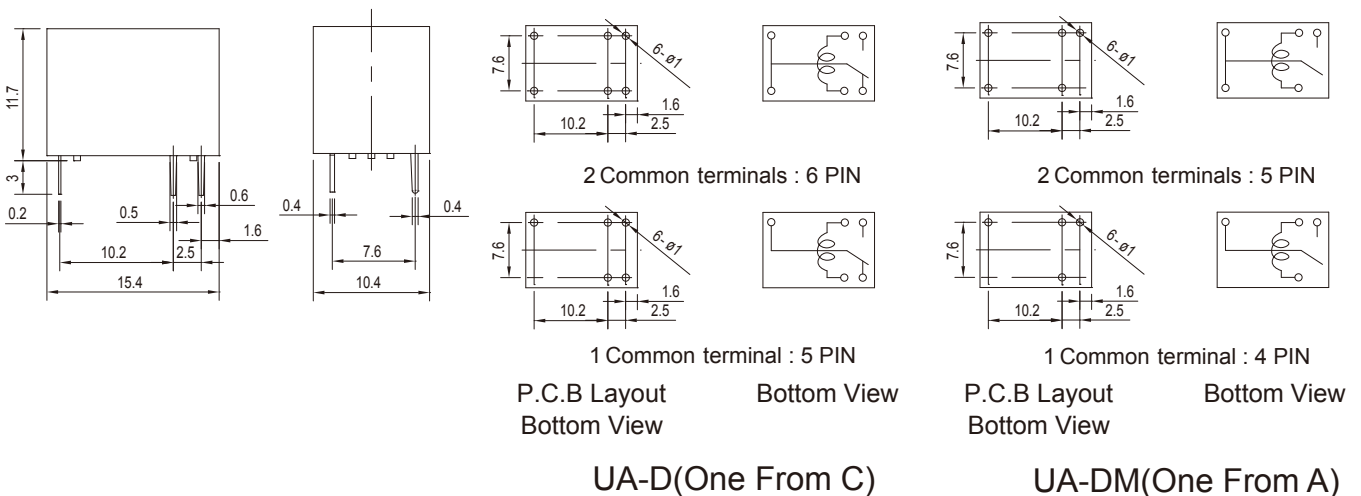
Type of Sealing: SS: RT II Flux Proofed
SH: RT III Wash Tight

Type: UA

CLASSIFICATION

Model	UA	
Contact Form	1C	1A
Flux Proofed	UA-SS-1□□D	UA-SS-1□□DM
Wash Tight	UA-SH-1□□D	UA-SH-1□□DM

DIMENSION (≤ 5mm ± 0.2mm, > 5mm ± 0.3mm, the tolerance of PCB thru hole: +0.1mm)



REFERENCE DATA

